



SPK-SHOWER

showerPOD 900MHz Wireless Shower Speaker



USER MANUAL

www.audio-unlimited.com

www.cablesunlimited.com

Introduction & General Instructions

Overview

This Audio Unlimited™ showerPOD 900MHz wireless shower speaker system utilizes the latest advances in wireless transmission technology to deliver dynamic, high-quality audio from virtually any audio/video device, indoors up to 150 feet away. Simply connect the transmitter to a desired audio source: i-Pod, MP3, CD, DVD, Hi-Fi system or radio to enjoy wireless, full spectrum sound without complicated wiring and installation while having a shower.

Features

- Waterproof speaker
- High-Quality, interference-free sound
- 900MHz Digital Hybrid RF technology speaker system
- RF technology allows full freedom of movement
- Operating distance up to 150 feet
- RF transmission travels freely through walls, floors and other solid objects
- Auto On/Off Control
- Auto Tuning function

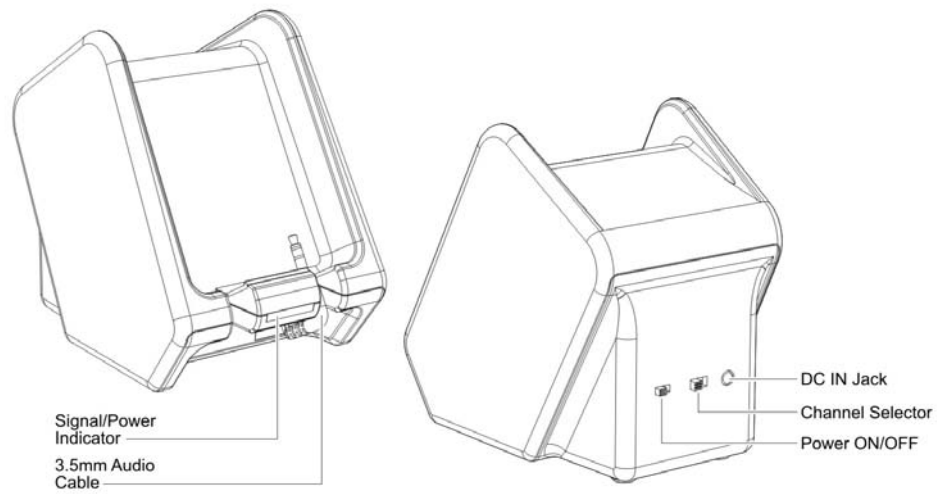
Warning

- **To avoid electric shock, do not handle the transmitter base or AC adapter with wet hands**
- **Do not attempt to repair or modify this unit**
- **Do not use attachments not recommended by the manufacturer**
- **Do not drop, shock or apply pressure to the unit. This may cause permanent damage.**

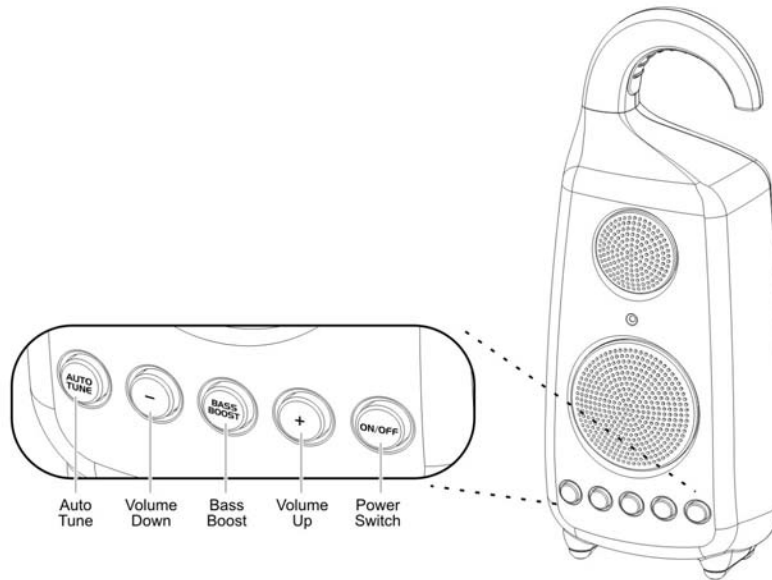
Battery Precautions

- Only use specified AA batteries or equivalent replacements with this unit
- Batteries may leak or explode if recharged, inserted improperly, disposed of in fire or mixed with different types
- When installing batteries, observe proper +/- polarities. Batteries positioned incorrectly may leak and cause damage to the unit.
- Never attempt to recharge conventional dry cell batteries
- Replace only with fresh, new batteries.
- If unit will not be used for a long period of time, remove batteries to prevent damage or injury due to possible battery leakage
- Keep all batteries away from children

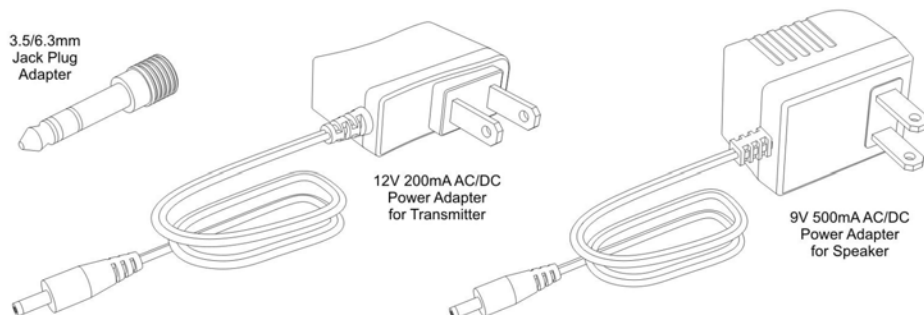
Parts Identification Transmitter



Receiver

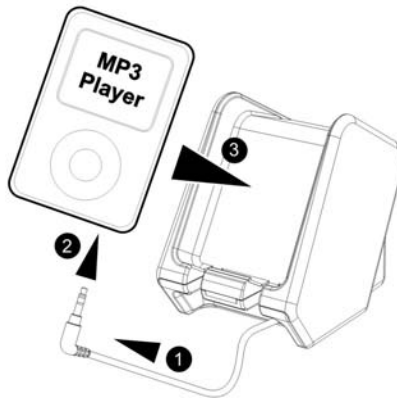


Adapter



Transmitter Operation

1. Plug the included AC adapter into a standard wall outlet
2. Turn on the power switch on rear transmitter. A blue indicator flashes when the AC adapter is plugged in. If the blue POWER indicator does not illuminate, ensure the adapter is plugged in.
3. Insert the adapter connector plug firmly into the DC jack located at the back of the transmitter
4. You can pull out a 3.5mm audio cable in front of the transmitter, which you can connect it to the i-pod's output jack. After used, just pull it for a bit and release, then it will roll back automatically



5. The rubber surface of the transmitter is specially designed for you to lay your I-pod on it to prevent sliding down
6. You can also connect the 3.5mm audio cable to the other end to the output jack of any of your desired audio sources, like MP3, CD, DVD, TV, Radio recorder, etc.
7. When an audio signal reaches the transmitter, the Blue indicator illuminates steady. If the Blue indicator keeps flashing, ensure the audio source is switched on

Speaker

Battery Operation

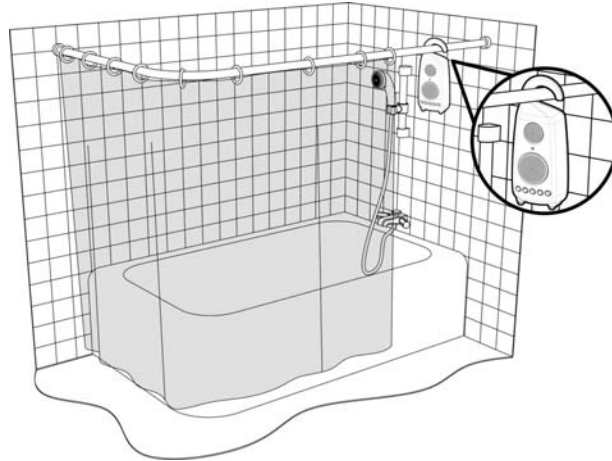
1. To operate the speaker using battery power, open the battery compartment cover located at the rear of the speaker
2. Insert six AA size batteries (purchase separately) into the battery compartment, observing proper +/- polarities as indicated
3. Replace the battery compartment cover

AC Operation

1. To operate the speaker using AC power, plug the 9V power adapter into a standard wall outlet
2. To insert the power adapter connector plugs firmly into the DC IN jacks located underneath the speaker

Speaker Operation

1. To switch on the speaker, press the POWER button located on the front panel of the speaker. A blue power LED on the speaker illuminates
2. To listen to a desired audio source through the speaker, switch on the audio device that the transmitter base is connected to. The blue LED on the transmitter illuminates steady
3. Depending on location, select CHANNEL 1 or 2 on the transmitter base for optimal performance
4. To locate the strongest operating frequency, press the AUTO TUNE button located on the front speaker panel. When the Auto Tune function is engaged, frequency scanning begins automatically and stops when a signal is detected.
5. You should experience interference-free speaker reception during normal room to room operation. If interference or poor signal reception occurs, press the AUTO TUNE button located on the speaker once (the blue LED indicator illuminates) to locate the strongest operating frequency.
6. If peak reception remains elusive, switch the CHANNEL setting (1 or 2) on the transmitter base, then press the AUTO TUNE button on the speaker to locate the corresponding frequency
7. "The BASS BOOST button can be used to enhance the bass sound depending on your music preferences. Turn bass / boost effect ON simply by pressing the button down on the speaker, and pressing it once again to turn it OFF."
8. To suit the needs of different users, you can mount the speaker inside your bathroom



Speaker Operation

Note:

When transmitting over long distances, the audio signal becomes weaker and interference increases.

If the source signal is too weak for reception, the transmitter automatically switches off, blue indicator will flash after approximately four minutes to protect the unit and save power. If the source signal returns to an adequate level, the transmitter automatically switches back on.

Power Off

To switch off power, press the ON/OFF button on the front panel of the speaker. And then slide power switch to "OFF" position at rear transmitter.

Volume Control

To adjust speaker sound level, press the +/- buttons located on the front panel of speaker until the desired volume is reached.

This device must be used with the AC/DC adapter supplied in the package.

Troubleshooting

No Sound

- Ensure the AC adapter is securely plugged into the wall outlet and the transmitter DC IN jack
- Ensure the speaker POWER button is in the ON position
- Speaker batteries may be too weak. Replace with new batteries or connect with the AC/DC adapter (Included)

- Ensure the connected audio device is switched on and producing a signal.
- Ensure that the volume level is set to a moderate level

Distortion

- Ensure the speaker and transmitter are operating on the same frequency. If not, press the AUTO TUNE button until both units are operating on the same frequency
- Switch the CHANNEL selector position (1 or 2) on the transmitter base and press the AUTO TUNE button the speaker until the matching frequency is reached
- Speaker batteries may be too weak. Replace with new batteries or connect with the AC/DC adapter (not supplied)
- Ensure that the volume level is set to a moderate level
- The audio signal input level is too low. Increase the volume level of the audio source

Specifications

Transmission Mode: UHF mono

Carrier Frequency: 900MHz Digital Hybrid

Operation Voltage: Transmitter, DC 12V 200mA adapter

Speaker, 6 x AA batteries (not supplied) or DC 9V 500mA adapter (included)

Frequency Response: 40Hz - 12KHz

Distortion: 1%

S/N Ratio: 70dB

Operating Distance: Up to 150 feet

Package includes:

Wireless shower speaker x 1

Audio transmitter x 1

AC/DC power adapters x 2

6.3mm to 3.5mm stereo adapter x 1

User manual x 1

ATTENTION:

The transmitter for this speaker set is designed to work with a wide variety of devices. Our tests have shown the default volume levels of iPods, MP3 players and other devices connected to the transmitter

through the headphone jack does not have the signal strength required by the transmitter. Raising the volume of your device will increase the signal strength to the transmitter. The blue signal LED will light when the required signal strength from your device is reached. We recommend that you keep the volume set on your iPod or MP3 player at a minimum of $\frac{3}{4}$ of full volume.